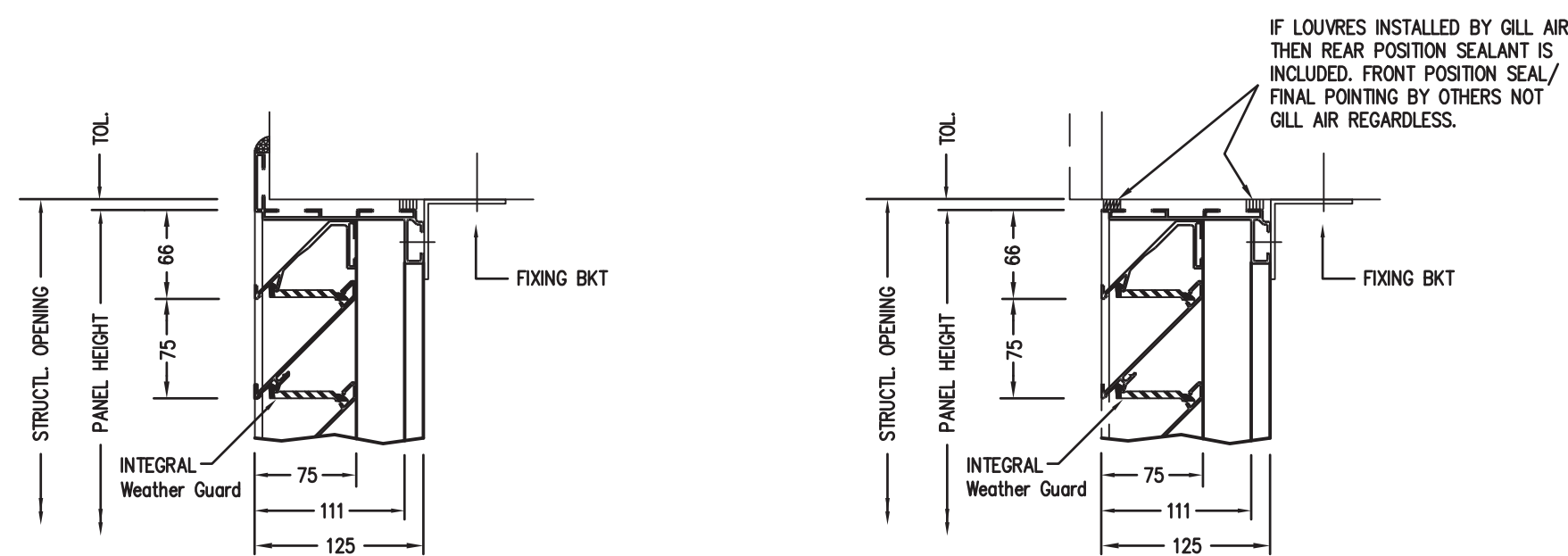
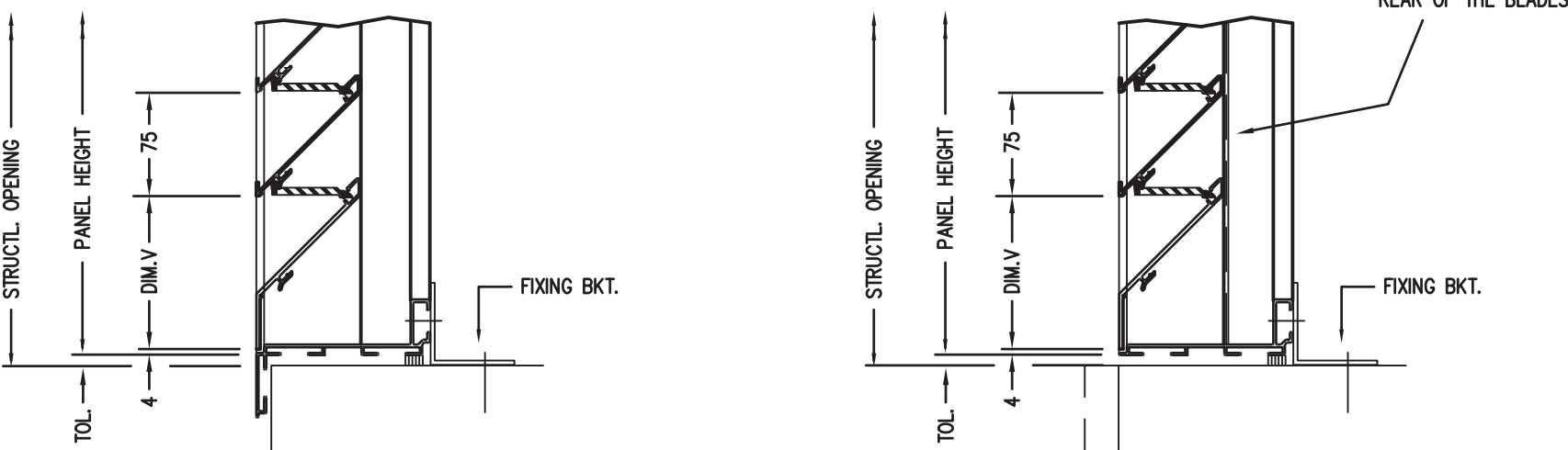


SECTIONAL DETAILS



033. STANDARD HEAD DETAIL

038. STANDARD HEAD DETAIL

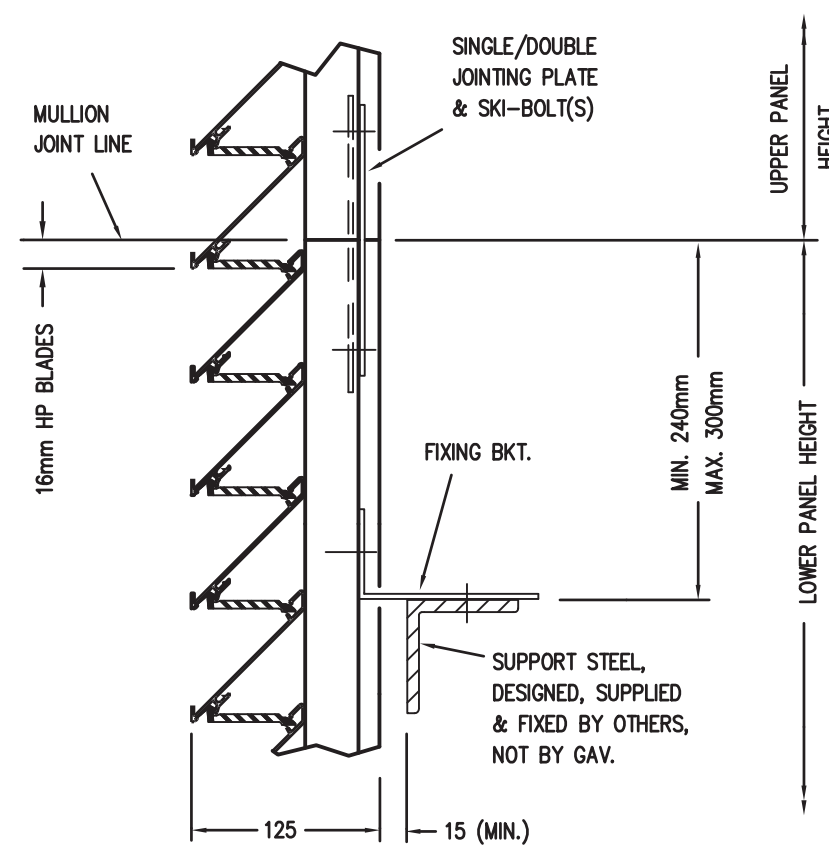


034. VARI-BLADE CILL DETAIL

039. VARI-BLADE CILL DETAIL

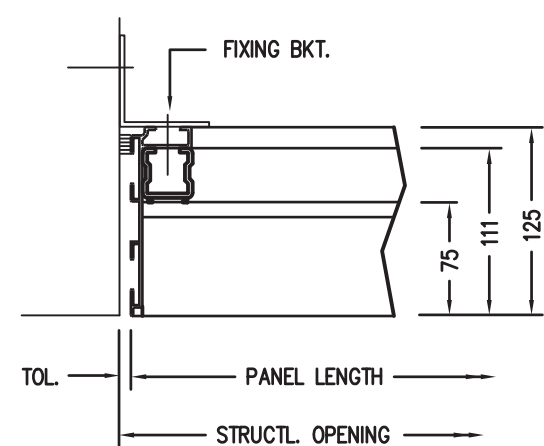
75EP FLANGED DETAILS
FLANGE TRIM FOR FACE MOUNTING

75EP FRAMED DETAILS
FRAME TRIM FOR FLUSH OR RECESSED MOUNTING

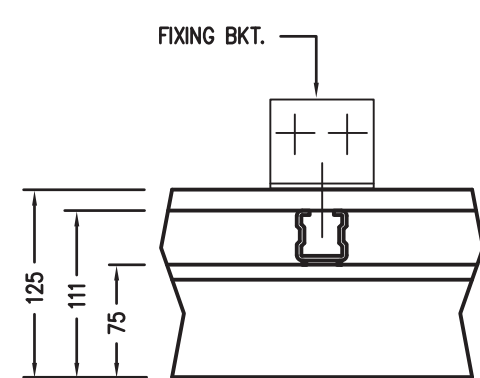


035. VERTICAL JOINT DETAIL
75HP VERTICAL DETAILS

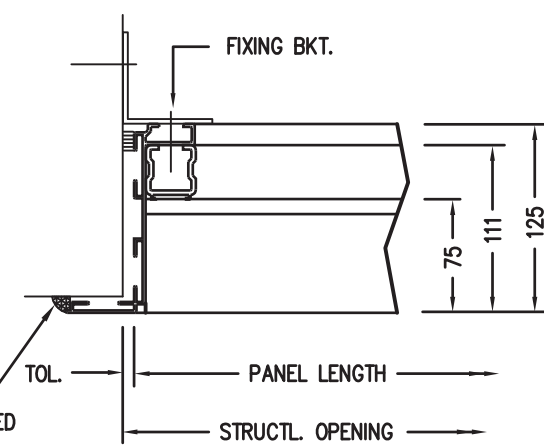
INTERMEDIATE RAILS REQ'D ON ASSEMBLIES OVER 2500mm HIGH



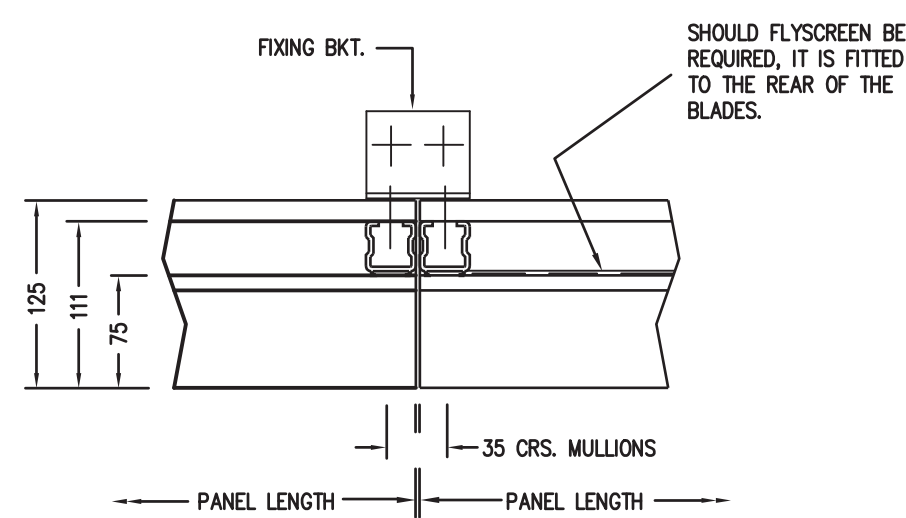
012. JAMB DETAIL FRAMED TRIM



005. CENTRAL MULLION DETAIL

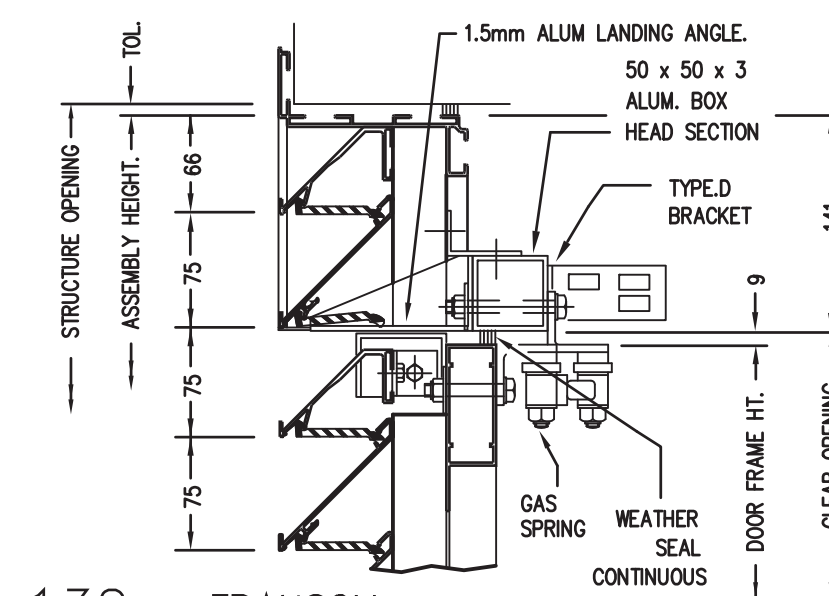


003. JAMB DETAIL FLANGED TRIM

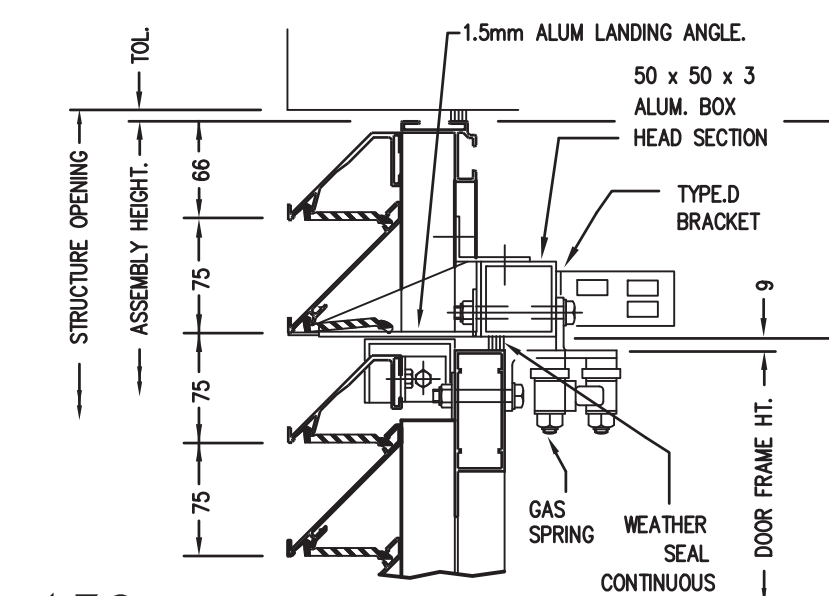


004. HORIZONTAL JOINT DETAIL

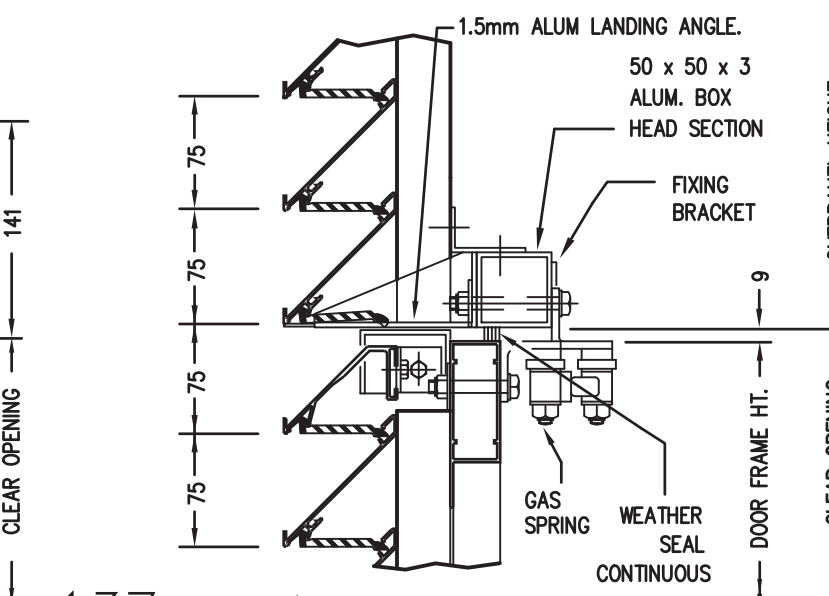
DOOR DETAILS



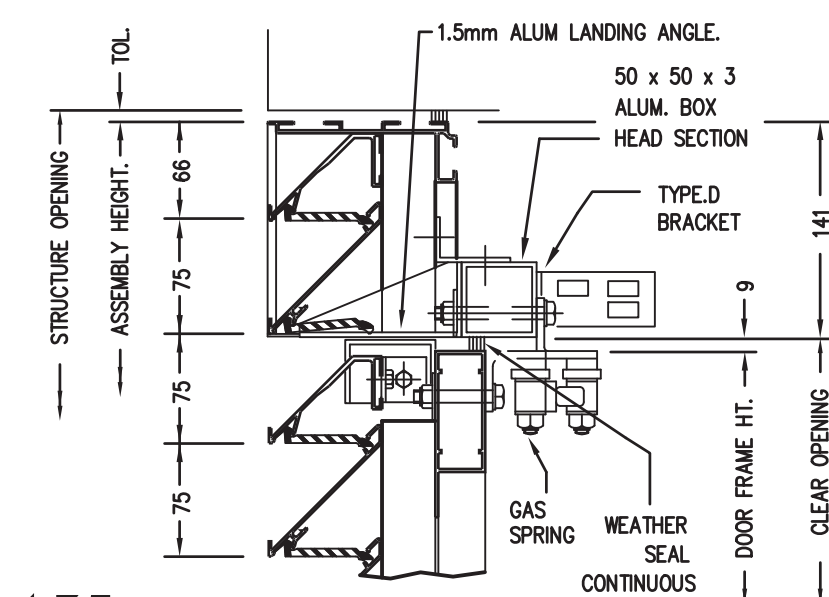
132. TRANSOM



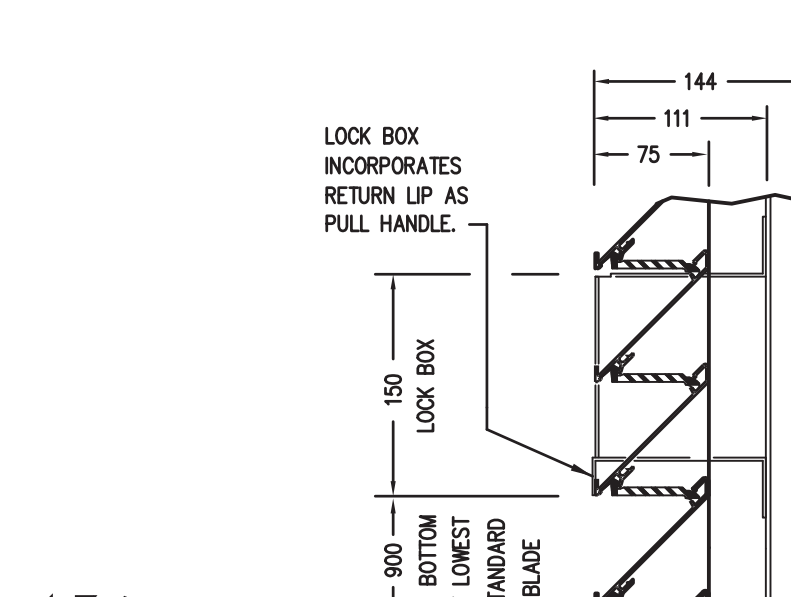
136. TRANSOM



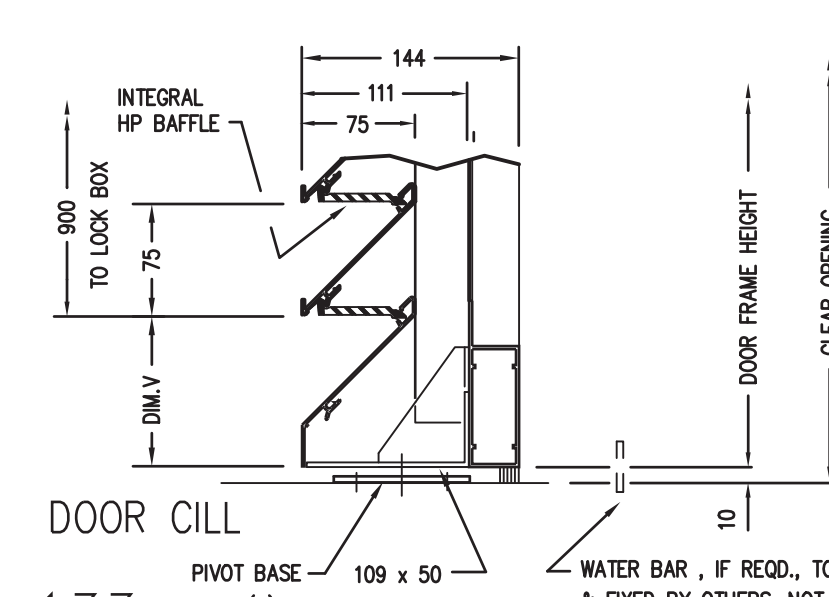
137. HEAD SECTION



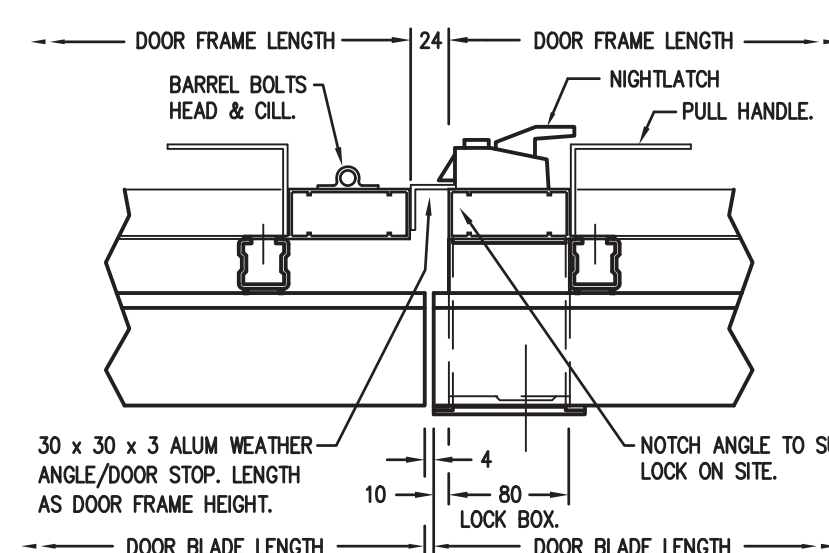
135. TRANSOM



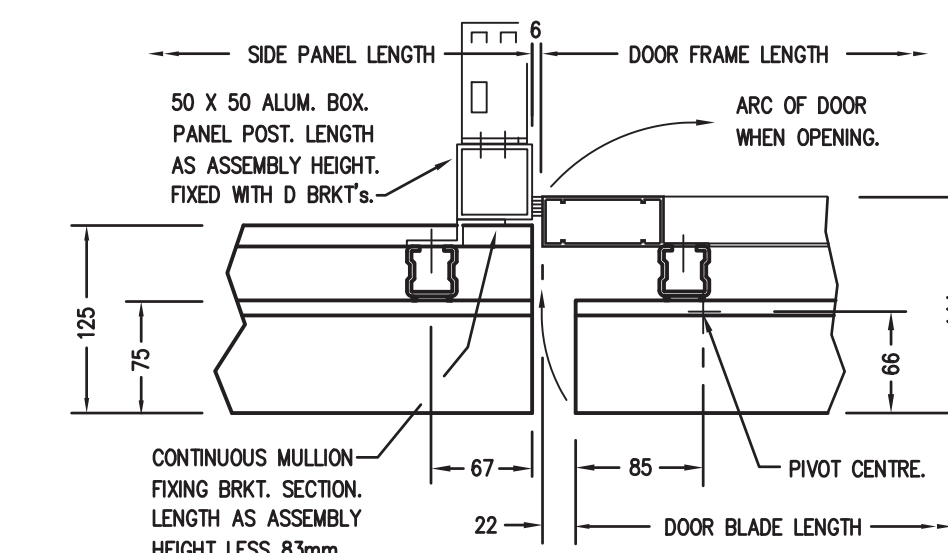
134. LOCKBOX



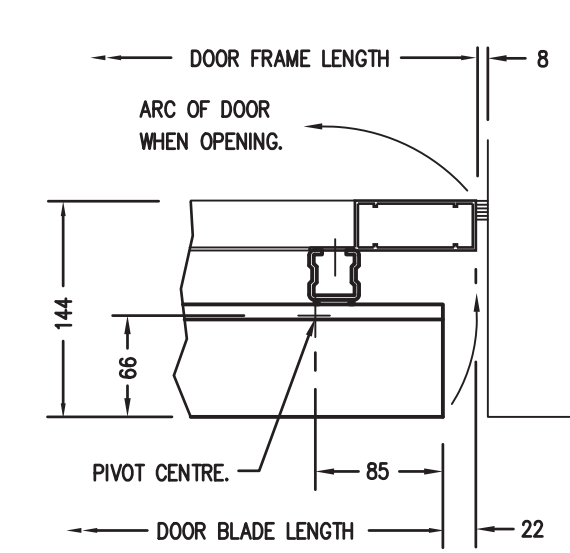
133. DOOR CILL



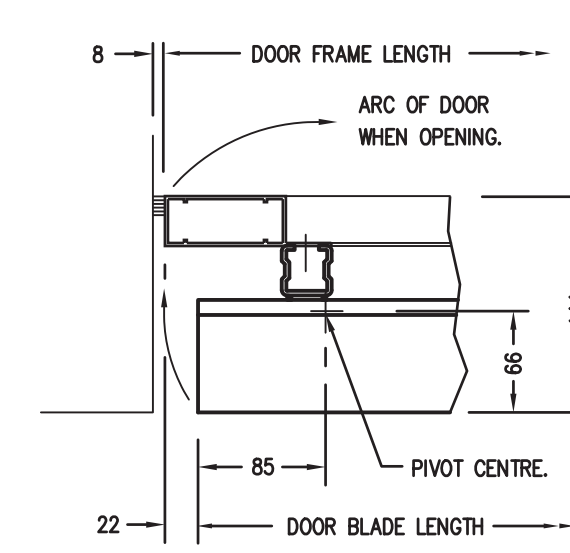
138. MEETING LOCK STILES



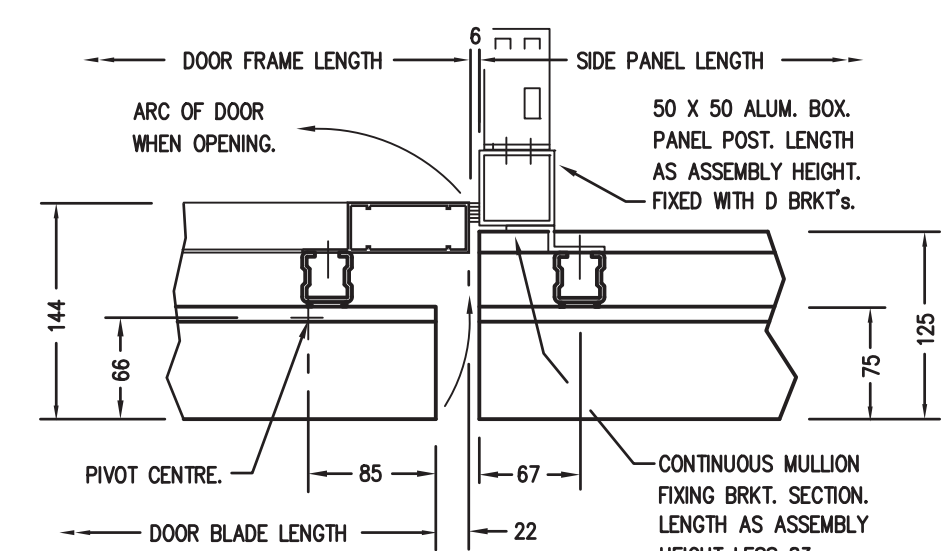
142. L/HD FRAME INTO ASSEMBLY



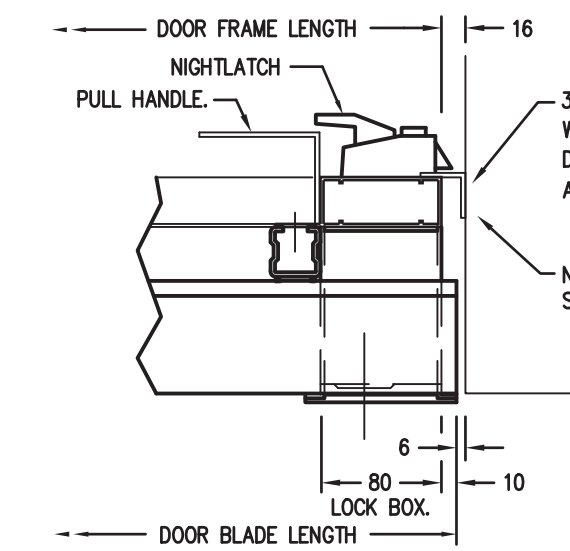
139. R/HD FRAME INTO STRUCTURE



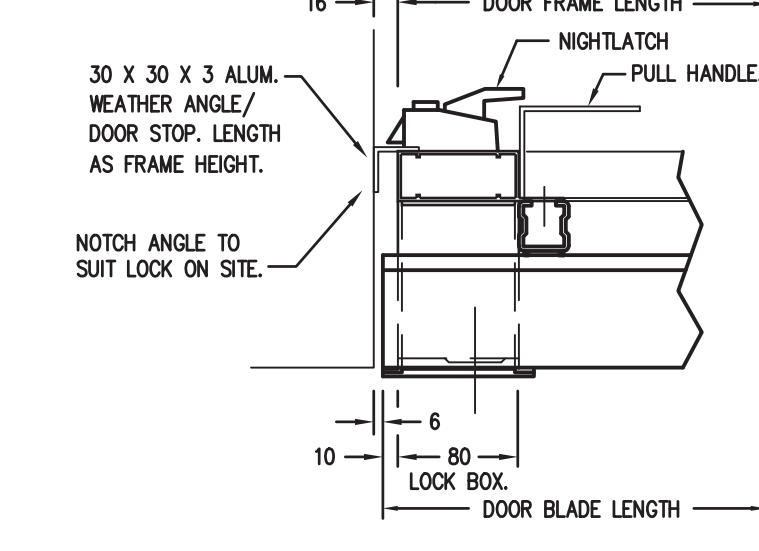
140. L/HD FRAME INTO STRUCTURE



141. R/HD FRAME INTO ASSEMBLY



143. LOCK R/HD INTO STRUCTURE



144. LOCK L/HD INTO STRUCTURE

SO SUPPLY ONLY S&F SUPPLY & FIX

LOUVRE TYPE : LOUVRE_TYPE
TRIM TYPE : TRIM_TYPE
GUARD TYPE : GUARD_TYPE
PAINT TYPE : PAINT_TYPE
FINISH : FINISH
COLOUR : COLOUR
LOCATION : LOCATION
CUSTOMERS REF : CUST_REF'S
GAV REF : GAV_REF'S

DO NOT SCALE DRAWING, IF IN DOUBT ASK.
ALL DETAILS & DIMENSIONS MUST BE CONFIRMED AS CORRECT BEFORE MANUFACTURE OF LOUVRES CAN COMMENCE.
CUSTOMER DRAWINGS USED :- CUST_DRAWINGS_USED

Rev	Description	Mod. By	Date

© COPYRIGHT 2009 HUNTER PRODUCTS
THIS DRAWING & DESIGN ARE THE PROPERTY OF HUNTER PRODUCTS GROUP., AND MUST NOT BE COPIED OR USED IN ANY WAY PREJUDICIAL TO THEIR INTERESTS.

Project

Customer

Drawing Title

75EP Std Details

Location/Panel Ref. PANEL_LOCATION

Drawing No. DWG_NO	Sheet No. SHT	Revision REV
--------------------	---------------	--------------

Scale SCALE Date DATE

Computer File No. COMPUTER_FILE_NO Project No. CONTRACT_NO

Drawn By DRAWN_BY Checked By CHKD_BY

Coordinated By CONTRACT_ENGINEER Approved By APP'VD_BY

GILL AIR
OFFICE SUITE 3, 22 BUSINESS PARK,
BRIDGE HALL LANE, BURY, BL9 7NY
Tel. 0161 763 3735 www.gillair.net

NOTE: The details shown within this drawing are for use as an aid only. If you are unsure which blocks are best suited for your application please contact our technical team on (0161) 763 3735 and we will be

© COPYRIGHT 2009 HUNTER PRODUCTS
THIS DRAWING & DESIGN ARE THE PROPERTY OF HUNTER PRODUCTS GROUP., AND MUST NOT BE COPIED OR USED IN ANY WAY PREJUDICIAL TO THEIR INTERESTS.